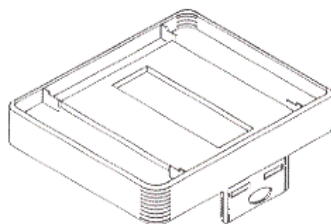




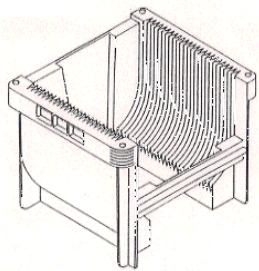
100 K - 1
Component
&
Materials



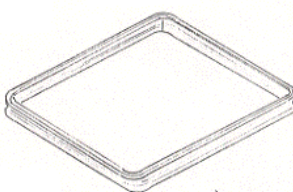
← **Cover (Polypropylene
+Polyamide/Glass Fiber)**



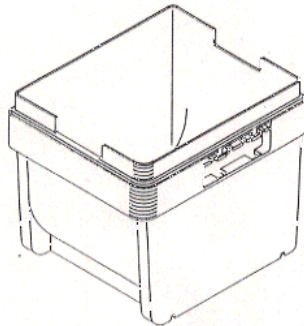
← **Cushion (Polyethylene)**



← **Cassette (Polypropylene)**



← **Gasket (Silicon Rubber)**



← **Bottom (Polypropylene)**